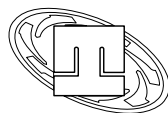


POMPA TIPO Pump type	gr.	Dimensioni costruttive Construction dimensions													
		DNa	DNm	a	h1	h2	b	c	m1	m2	n1	n2	s1	e1	e2
32-250	2	50	32	100	180	225	65	18	125	95	320	250	14	166	162
40-250	2	65	40	100	180	225	65	18	125	95	320	250	14	176	163
40-315	2	65	40	125	200	250	65	18	125	95	345	280	14	205	200
50-250	2	80	50	125	180	225	65	18	125	95	320	250	14	183	169
50-315	2	80	50	125	225	280	65	18	125	95	345	280	14	210	197
65-160	2	100	65	100	160	200	65	16	125	95	280	212	14	160	130
65-200	2	100	65	100	180	225	65	18	125	95	320	250	14	174	152
65-250	2	100	65	125	200	250	80	20	160	120	360	280	18	195	175
80-160	2	125	80	125	180	225	65	16	125	95	320	250	14	186	142
80-200	2	125	80	125	180	250	65	18	125	95	345	280	14	188	158
80-250	2	125	80	125	225	280	80	20	160	120	400	315	18	225	185
100-200	2	125	100	125	200	280	80	20	160	120	360	280	18	211	170
100-250	3	125	100	140	225	280	80	20	160	120	400	315	18	215	183
125-250	3	150	125	140	250	355	80	20	160	120	400	315	18	245	200
150-250	3	200	150	160	280	375	100	22	200	150	500	400	22	300	240

Dimensioni flange Flanges dimensions				
DNa-DNm	D	K	F	N° fori holes
32	140	100	18	4
40	150	110	18	4
50	165	125	18	4
65	185	145	18	4
80	200	160	18	8
100	220	180	18	8
125	250	210	18	8
150	285	240	22	8
200	340	295	22	12



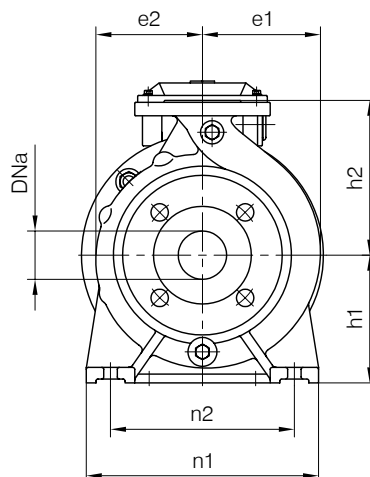
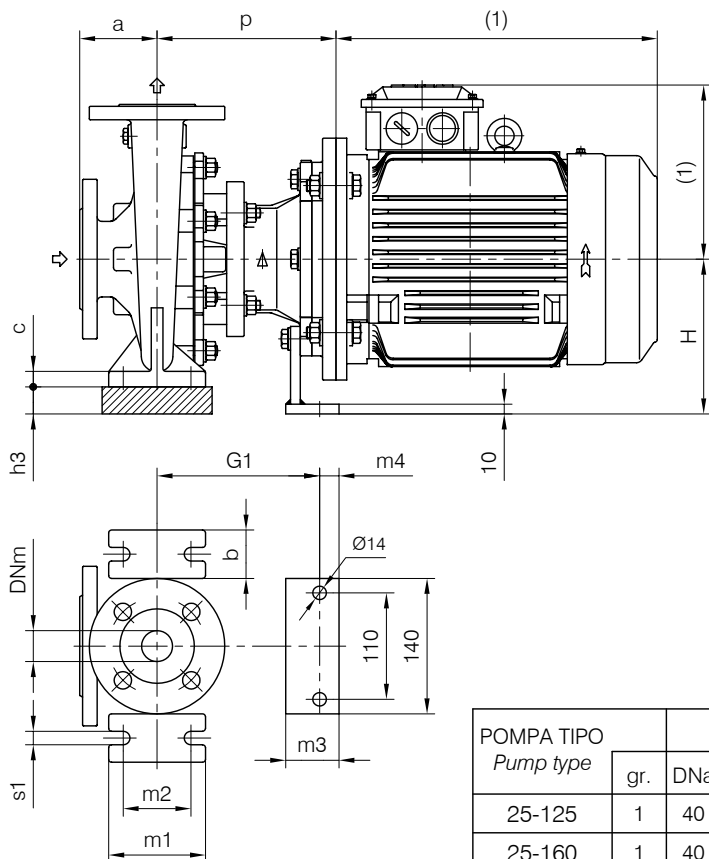
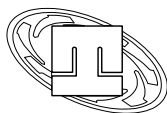
POMPA TIPO Pump type	motore motor 180						motore motor 200				
	gr.	p	G1	h3	h4	Peso Weight	p	G1	h3	h4	Peso Weight
32-250	2	251.5	372.5	-	-	72.5	275.5	408.5	20	-	89.5
40-250	2	253	374	-	-	73.5	277	410	20	-	88.5
40-315	2	251.5	372.5	-	20	89	275.5	408.5	-	-	108.5
50-250	2	251.5	372.5	-	-	76	275.5	408.5	20	-	92.5
50-315	2	251.5	372.5	-	45	95	275.5	408.5	-	25	112.5
65-160	2	253	374	20	-	62.5	277	410	40	-	75.5
65-200	2	253	374	-	-	69.5	277	410	20	-	84
65-250	2	251.5	372.5	-	20	85.5	275.5	408.5	-	-	101
80-160	2	253	374	-	-	74	277	410	20	-	87.5
80-200	2	251.5	372.5	-	-	75.5	275.5	408.5	20	-	90
80-250	2	251.5	372.5	-	45	96.5	275.5	408.5	-	25	112
100-200	2	256	377	-	20	89	280	413	-	-	105

POMPA TIPO Pump type	motore motor 160					motore motor 180				motore motor 200			
	gr.	p	G1	h4	Peso Weight	p	G1	h4	Peso Weight	p	G1	h4*	Peso Weight
100-250	3	265	373	65	102	265	386	45	102	289	422	25	115.5
125-250	3	265	373	90	117.5	265	386	70	117.5	289	422	50	131
150-250	3	277	385	120	161.5	277	398	100	161.5	301	434	80	175

MOTORI ELETTRICI Electric Motors									
Grandezza Frame size IEC	Giri/min. RPM 1450		Giri/min. RPM 2900		Dimensioni costruttive Construction dimensions				
	kW	HP	kW	HP	Hm	A	B	C	F1
160 M	11	15	11-15	15-20	160	254	210	108	14
160 L	15	20	18.5	25		254	254	108	14
180 M	18.5	25	22	30	180	279	241	121	14
180 L	22	30	-	-		279	279	121	14
200 L	30	40	30-37	40-50	200	318	305	133	18

(h3-h4) Spessori per allineamento motore-pompa esclusi dalla fornitura.
 Raising pads for motor-pump alignment are not supplied by pompetravaini.

Disegno schematico. Dimensioni in mm con tolleranze secondo EN 735-1995.
 Pesì indicativi in Kg, riferiti a pompe in ghisa escluso motore, non impegnativi.
 Schematic drawing. Dimensions in mm with tolerances to EN 735-1995 standards.
 Weights in Kgs, referred to pumps in cast iron without motor, not certified.



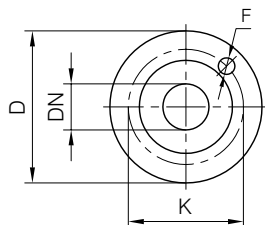
FLANGE: Dimensioni secondo UNI 2223 - 2229 PN16
FLANGES: Dimensions to UNI 2223-2229 NP16 standards

(h3) Spessori per allineamento motore-pompa esclusi dalla fornitura.
Raising pads for motor-pump alignment are not supplied by pompetravaini.

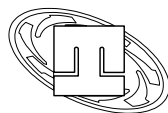
(1) Dimensioni in funzione della marca del motore installato.
Not certified dimensions according to installed motor manufacture.

Dimensioni piede motore Motor foot dimensions		
gruppo / group	m3	m4
1-2	55	20
3	200	100

Dimensioni flange Flanges dimensions				
DNa-DNm	D	K	F	N° fori holes
25	115	85	14	4
32	140	100	18	4
40	150	110	18	4
50	165	125	18	4
65	185	145	18	4
80	200	160	18	8
100	220	180	18	8
125	250	210	18	8
150	285	240	22	8
200	340	295	22	12



POMPA TIPO Pump type	gr.	Dimensioni costruttive Construction dimensions													
		DNa	DNm	a	h1	h2	b	c	m1	m2	n1	n2	s1	e1	e2
25-125	1	40	25	80	112	140	50	15	100	70	190	140	14	95	90
25-160	1	40	25	80	132	160	50	16	100	70	240	190	14	110	108
25-200	1	40	25	80	160	180	50	16	100	70	240	190	14	133	128
32-125	1	50	32	80	112	140	50	15	100	70	190	140	14	105	91
32-160	1	50	32	80	132	160	50	16	100	70	240	190	14	125	110
32-200	1	50	32	80	160	180	50	16	100	70	240	190	14	140	130
40-125	1	65	40	80	112	140	50	15	100	70	210	160	14	115	100
40-160	1	65	40	80	132	160	50	16	100	70	240	190	14	130	115
40-200	1	65	40	100	160	180	50	16	100	70	265	212	14	146	135
50-125	1	80	50	100	132	160	50	16	100	70	240	190	14	130	110
50-160	1	80	50	100	160	180	50	16	100	70	265	212	14	147	125
50-200	1	80	50	100	160	200	50	16	100	70	265	212	14	161	146
65-125	1	100	65	100	160	180	65	16	125	95	280	212	14	145	117
32-250	2	50	32	100	180	225	65	18	125	95	320	250	14	166	162
40-250	2	65	40	100	180	225	65	18	125	95	320	250	14	176	163
40-315	2	65	40	125	200	250	65	18	125	95	345	280	14	205	200
50-250	2	80	50	125	180	225	65	18	125	95	320	250	14	183	169
50-315	2	80	50	125	225	280	65	18	125	95	345	280	14	210	197
65-160	2	100	65	100	160	200	65	16	125	95	280	212	14	160	130
65-200	2	100	65	100	180	225	65	18	125	95	320	250	14	174	152
65-250	2	100	65	125	200	250	80	20	160	120	360	280	18	195	175
80-160	2	125	80	125	180	225	65	16	125	95	320	250	14	186	142
80-200	2	125	80	125	180	250	65	18	125	95	345	280	14	188	158
80-250	2	125	80	125	225	280	80	20	160	120	400	315	18	225	185
100-200	2	125	100	125	200	280	80	20	160	120	360	280	18	211	170
100-250	3	125	100	140	225	280	80	20	160	120	400	315	18	215	183
125-250	3	150	125	140	250	355	80	20	160	120	400	315	18	245	200
150-250	3	200	150	160	280	375	100	22	200	150	500	400	22	300	240



TCHM /1-C gr.1-2-3 (pag.2/2)

POMPA TIPO Pump type	motore motor 80-90				motore motor 100-112					motore motor 132					motore motor 160					motore motor 180 - 200	
	gr.	p	G1	Peso Weight	p	G1	h3	H	Peso Weight	p	G1	h3	H	Peso Weight	p	G1	h3	H	Peso Weight		
25-125	1	158	116	21.5	183	116	20	132	25.5	207	115	48	160	26.5	236	115	68	180	40		
25-160	1	160	168	26	185	118	-	-	30	209	167	28	160	31.5	238	167	48	180	44.5		
25-200	1	158.5	166.5	33	183.5	166.5	-	-	37	207.5	165.5	-	160	38.5	236.5	165.5	20	180	51.5		
32-125	1	160	118	24.5	185	118	20	132	28.5	209	117	48	160	29.5	238	117	68	180	43		
32-160	1	160	168	29	185	118	-	-	33	209	167	28	160	34	238	167	48	180	47		
32-200	1	160	168	36	185	168	-	-	40	209	167	-	160	41	238	167	20	180	54.5		
40-125	1	160	118	26.5	185	118	20	132	30.5	209	117	48	160	31.5	238	117	68	180	44.5		
40-160	1	160	168	30.5	185	118	-	-	34.5	209	167	28	160	35.5	238	167	48	180	48.5		
40-200	1	160	168	39	185	168	-	-	43	209	167	-	160	44	238	167	20	180	57		
50-125	1	160	121	31	185	121	-	-	35	209	120	28	160	36	238	120	48	180	49		
50-160	1	160	168	36.5	185	168	-	-	40.5	209	167	-	160	42	238	167	20	180	55		
50-200	1	160	168	43	185	168	-	-	47	209	167	-	160	48	238	167	20	180	61		
65-125	1	165	173	39	190	173	-	-	43	214	172	-	160	44	243	172	20	180	57		
32-250	2	173.5	181.5	55	198.5	181.5	-	-	59	222.5	180.5	-	180	60.5	251.5	180.5	-	180	74		Vedere costruzione / See construction TCHM /1-C/B35 gr.2
40-250	2	175	183	56	200	183	-	-	60	224	182	-	180	61.5	253	182	-	180	75		
40-315	2	173.5	181.5	72	198.5	181.5	-	-	76.5	222.5	180.5	-	200	77.5	251.5	180.5	-	200	91		
50-250	2	173.5	181.5	58	198.5	181.5	-	-	62.5	222.5	180.5	-	180	64	251.5	180.5	-	180	77.5		
50-315	2	173.5	181.5	77.5	198.5	181.5	-	-	82	222.5	180.5	-	225	83	251.5	180.5	-	225	97		
65-160	2	175	183	45	200	183	-	-	49	224	182	-	160	50.5	253	182	20	180	64		
65-200	2	175	183	52	200	183	-	-	56	224	182	-	180	57.5	253	182	-	180	71		
65-250	2	173.5	181.5	68.5	198.5	181.5	-	-	73	222.5	180.5	-	200	74	251.5	180.5	-	200	87.5		
80-160	2	175	184	56.5	200	184	-	-	61	224	183	-	180	62	253	183	-	180	75.5		
80-200	2	173.5	181.5	57.5	198.5	181.5	-	-	62	222.5	180.5	-	180	63	251.5	180.5	-	180	77		
80-250	2	173.5	181.5	79	198.5	181.5	-	-	83.5	222.5	180.5	-	225	85	251.5	180.5	-	225	98.5		
100-200	2	178	183	72	203	183	-	-	76.5	227	182	-	200	77.5	256	182	-	200	91		
100-250	3									236	279	-	225	102	Vedere costruzione / See construction TCHM /1-C/B35 gr.3						
125-250	3									236	279	-	250	118							
150-250	3									-	-	-	-	-							

MOTORI ELETTRICI Electric Motors				
Grandezza Frame size IEC	Giri/min. RPM 1450		Giri/min. RPM 2900	
	kW	HP	kW	HP
80 M	0.55	0.7	0.75	1
	0.75	1	1.1	1.5
90 S	1.1	1.5	1.5	2
90 L	1.5	2	2.2	3
100 L	2.2	3	3	4
	3	4		
112 M	4	5.5	4	5.5
132 S	5.5	7.5	5.5-7.5	7.5-10
132 M	7.5	10		
160 M	11	15	11-15	15-20
160 L	15	20	18.5	25
180 M	18.5	25	22	30
180 L	22	30		
200 L	30	40		

(h3) Spessori per allineamento motore-pompa esclusi dalla fornitura.
 Raising pads for motor-pump alignment are not supplied by pompetravaini.

Disegno schematico. Dimensioni in mm con tolleranze secondo EN 735-1995.
 Pesì indicativi in Kg, riferiti a pompe in ghisa escluso motore, non impegnativi.
 Schematic drawing. Dimensions in mm with tolerances to EN 735-1995 standards.
 Weights in Kgs, referred to pumps in cast iron without motor, not certified.

RIF. - Ref.: E.C./C.T.

SOSTITUISCE - Replaces: 3200.1L2.201.06.02

DATA - Date: Novembre '08 - November '08

N°. : 3200.1L2.201.07.02